



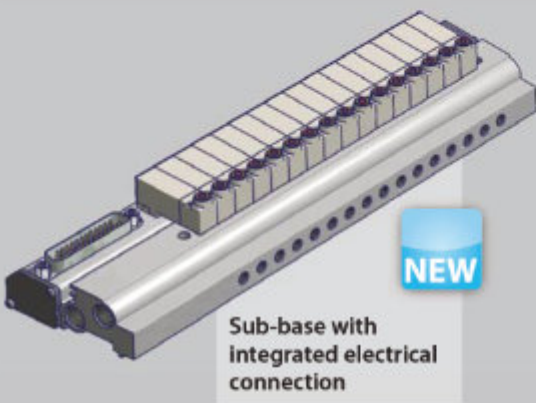


Standard	Low consumption	High flowrate	Magnetic memory
<b>B11</b>	<b>B10</b>	<b>B12</b>	<b>LATCHING</b>
1 w 15 NI/min	0,3 w 15 NI/min	0,6 w 30 NI/min	Energizing through short impulse, de-energizing through the same impulse with inverted polarity.
		Special version 40 NI/min 	

### B11 / B10 / B12

Micro Valves SO 15218



Manual override  
(standard)



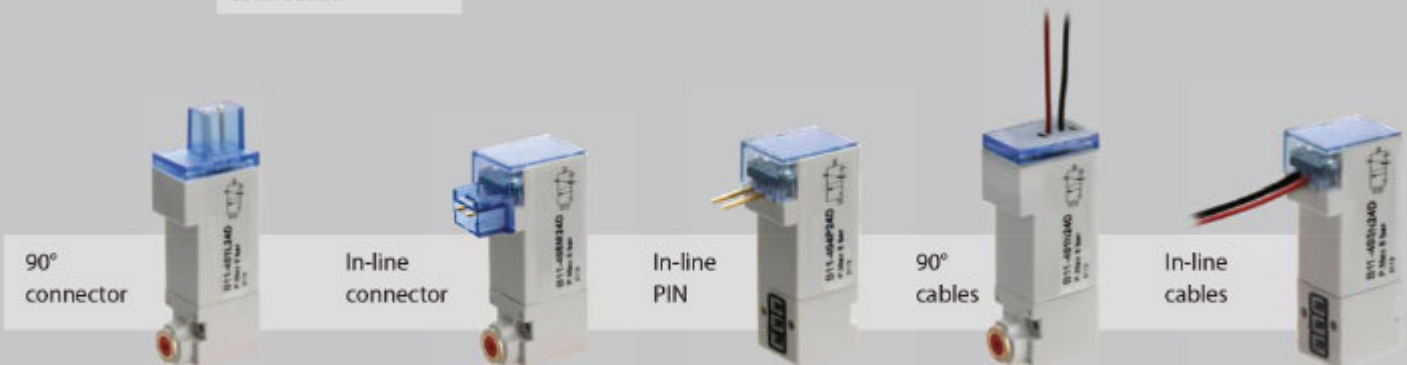
ISO 15218  
interface



No manual override  
(upon request)



LED

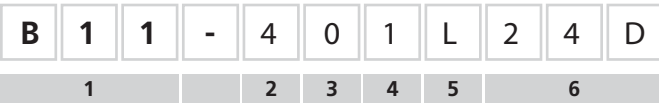


**CHARACTERISTICS**

Ambient temperature	-5°C to +50°C
Fluid	10 µm filtered air, with or without lubrication
Pressure Max	9 bar
Operating frequency	5 Hz
Fixing	2 screws M1,6
Connections	ISO 15218 interface
Nominal bore (mm)	0.7 (3/2 NC) 1.3 (3/2 NO)
Nominal flowrate (NI/min)	15
Valve body	self-extinguishing technopolymer
Seals	NBR
Voltage	24 V DC (12V DC upon request)
Power consumption	1 W
Electrical connection	D-535U40 (IP65), solder pin (IP00), Molex
Led	yellow (standard supplied)
Manual override	monostable button




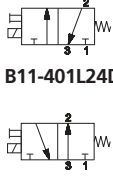

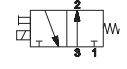

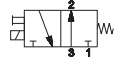
**CODIFICATION KEY**



1 Series	2 Model	3 Type
B11 = 10 mm Nano Valves - 1 W standard ISO 15218	4 = Monostable	0 = 3/2 NC Ø 0,7 mm (1 W) 1 = 3/2 NO Ø 1,3 mm (1 W)
4 Function	5 Variant	6 Voltage
1 = Manual override, in-line PIN 2 = No manual override, in-line PIN 3 = Manual override, PIN on interface side 4 = No manual override, PIN on interface side 5 = Manual override, PIN opposed to the interface 6 = No manual override, PIN opposed to the interface	L = 90° Connector (protected PIN) M = In-line connector (protected PIN, Molex connection) P = In-line PIN (suitable for mounting on circuit boards)	24D = 24 V DC 12D = 12 V DC (upon request)

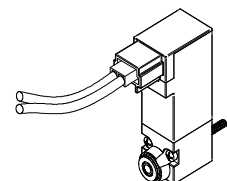
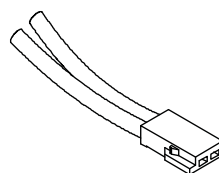
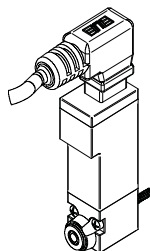
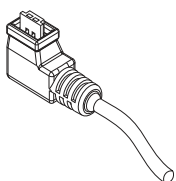
Fixing screws standard supplied. Max tightening torque 0,15 Nm.  
Other versions upon request: in-line cables and 90° cables

**Versions**

90° Connector	In-line connector <b>NEW</b>	In-line PIN
 <p>B11-401L24D</p>  <p>B11-411L24D</p>	 <p>B11-405M24D</p>  <p>B11-415M24D</p>	 <p>B11-403P24D</p>  <p>B11-413P24D</p>

D-535U40300/500

D-530-30/50/200



Single connector with 3-5 m wire  
D-535U40100 = Wire length 100cm  
D-535U40300 = Wire length 300cm  
D-535U40500 = Wire length 500cm

Miniature connector with loose cables  
D-530-30 = Wire length 300 mm  
D-530-50 = Wire length 500 mm  
D-530-200 = Wire length 2000 mm

### CHARACTERISTICS

Ambient temperature	-5°C to +50°C
Fluid	10 µm filtered air, with or without lubrication
Pressure Max	7 bar
Operating frequency	5 Hz
Assembly	2 screws M1,6
Connections	ISO 15218 interface
Nominal bore (mm)	0.7
Nominal flowrate (NI/min)	15
Valve body	self-extinguishing technopolymer
Seals	NBR
Voltage	24 V DC (12V DC upon request)
Power consumption	0,3 W (speed-up 1 W)
Electrical connection	D-535U40 (IP65), solder pin (IP00), Molex
Led	yellow (standard)
Manual override	monostable button




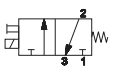

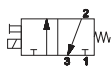

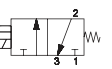

### CODIFICATION KEY

B	1	0	-	4	0	1	L	2	4	D
1	2	3	4	5	6					

<b>1 Series</b> B10 = 10 mm Nano Valves low power consumption ISO 15218	<b>2 Model</b> 4 = Monostable	<b>3 Type</b> 0 = 3/2 NC Ø 0,7 mm (0,3 W)
<b>4 Function</b> 1 = Manual override, in-line PIN 2 = No manual override, in-line PIN 3 = Manual override, PIN on interface side 4 = No manual override, PIN on interface side 5 = Manual override, PIN opposed to the interface 6 = No manual override, PIN opposed to the interface	<b>5 Variant</b> L = 90° Connector (protected PIN) M = In-line connector (protected PIN, Molex connection) P = In-line PIN (suitable for mounting on circuit boards)	<b>6 Voltage</b> 24D = 24 V DC 12D = 12 V DC (upon request)

Fixing screws standard supplied. Maxtightening torque 0,15 Nm.  
Other versions upon request: in-line cables and 90° cables, nominal flowrate 40 NI/min

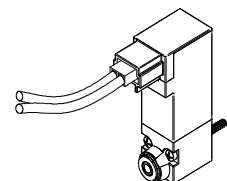
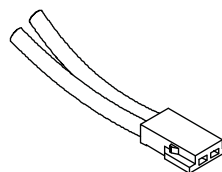
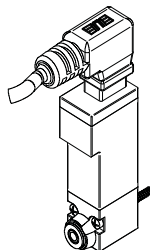
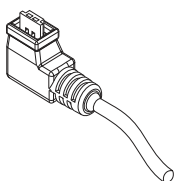
### Versions

<p>■ 90° Connector</p>   <p>B10-401L24D</p>	<p>■ In-line connector <b>NEW</b></p>   <p>B10-405M24D</p>	<p>■ In-line PIN</p>   <p>B10-403P24D</p>	<p>■ Latching in-line PIN (with magnetic memory)</p>  <p>This version is energised by an electrical impulse and de-energised by a similar impulse with inverted polarity.</p>
---	--	--	--

**For further information please contact our Sales Office.**

### D-535U40300/500

### D-530-30/50/200



Single connector with 3-5 m wire  
D-535U40100 = Wire length 100cm  
D-535U40300 = Wire length 300cm  
D-535U40500 = Wire length 500cm

Miniature connector with loose cables  
D-530-30 = Wire length 300 mm  
D-530-50 = Wire length 500 mm  
D-530-200 = Wire length 2000 mm

**CHARACTERISTICS**

Ambient temperature	-5°C to +50°C
Fluid	10 µm filtered air, with or without lubrication
Pressure Max	7 bar
Operating frequency	5 Hz
Fixing	2 screws M1,6
Connections	ISO 15218 interface
Nominal bore (mm)	1.3
Nominal flowrate (NI/min)	30
Valve body	self-extinguishing technopolymer
Seals	NBR
Voltage	24 V DC (12 V DC upon request)
Power consumption	0,6 W (speed-up 1 W)
Electrical connection	D-535U40 (IP65), solder pin (IP00), Molex
Led	yellow (standard)
Manual override	monostable button



**CODIFICATION KEY**

B	1	2	-	4	0	1	L	2	4	D
1		2	3	4	5	6				

<b>1 Series</b> B12 = 10 mm Nano Valves high flow rate ISO 15218	<b>2 Model</b> 4 = Monostable	<b>3 Type</b> 0 = 3/2 NC Ø 1,3 mm (0,6 W)
--	----------------------------------	--

<b>4 Function</b> 1 = Manual override, in-line PIN 2 = No manual override, in-line PIN 3 = Manual override, PIN on interface side 4 = No manual override, PIN on interface side 5 = Manual override, PIN opposed to the interface 6 = No manual override, PIN opposed to the interface	<b>5 Variant</b> L = 90° connector (protected PIN) M = In-line connector (protected PIN, Molex connection) P = In-line PIN (suitable for mouting on circuit boards)	<b>6 Voltage</b> 24D = 24 V DC 12D = 12 V DC (upon request)
--	--	---

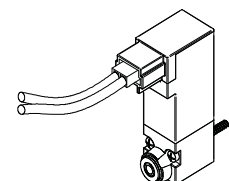
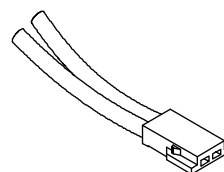
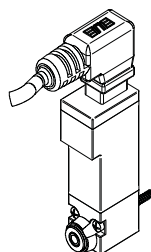
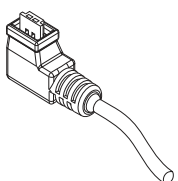
Fixing screws standard supplied. Maxtightening torque 0,15 Nm.  
Other versions (upon request): In-line cables and 90° cables, nominal flowrate 40 NI/min

**Versions**

<p>■ 90° Connector</p> <p>B12-401L24D</p>	<p>■ In-line connector <b>NEW</b></p> <p>B12-405M24D</p>	<p>■ In-line PIN</p> <p>B12-403P24D</p>
---	--	---

**D-535U40300/500**

**D-530-30/50/200**



Single connector with 3-5 m wire  
D-535U40100 = Wire length 100cm  
D-535U40300 = Wire length 300cm  
D-535U40500 = Wire length 500cm

Miniature connector with loose cables  
D-530-30 = wire length 300 mm  
D-530-50 = wire length 500 mm  
D-530-200 = wire length 2000 mm